

NEWS

KUD 2022-14
12.09.2022



Scrubmaster B175R · Scrubmaster B260R · Scrubmaster B400R

New version of the machine control

Dear Sir or Madam,

In the course of continuous product optimisation, a new machine control system was designed for the Scrubmaster B175R, B260R and B400R machine series.

The main difference to the previous control systems is the adaptability of the control system to the requirements of the different brush decks. In a few cases, especially with the roller brush deck of the Scrubmaster B260R, a control failure could occur due to an overvoltage. In the meantime, the control with the order number PN 01384020 was used for machines with the roller brush deck.

The new version of the control has a DIP switch which activates a protective circuit for machines with roller brush deck.

The new control has the order number PN 01385160 and replaces the controls PN 01379680 (all disc brush variants) and PN 01384020 (roller brush deck WB1080 in the B260R) in the spare parts distribution.

In the appendix you will find the instructions for the correct setting of the switch as well as the position of the switch on the control unit.

Likewise, the service codes are given if the switch position does not match the activated brush deck (parameter 0.2.x).

Best regards,



Friedhelm Fechtner
After Sales Service
Hako GmbH



Lars Albermann
After Sales Service
Hako GmbH

Appendix:

- Control setting instructions

Setting instruction switch of controller 97176333

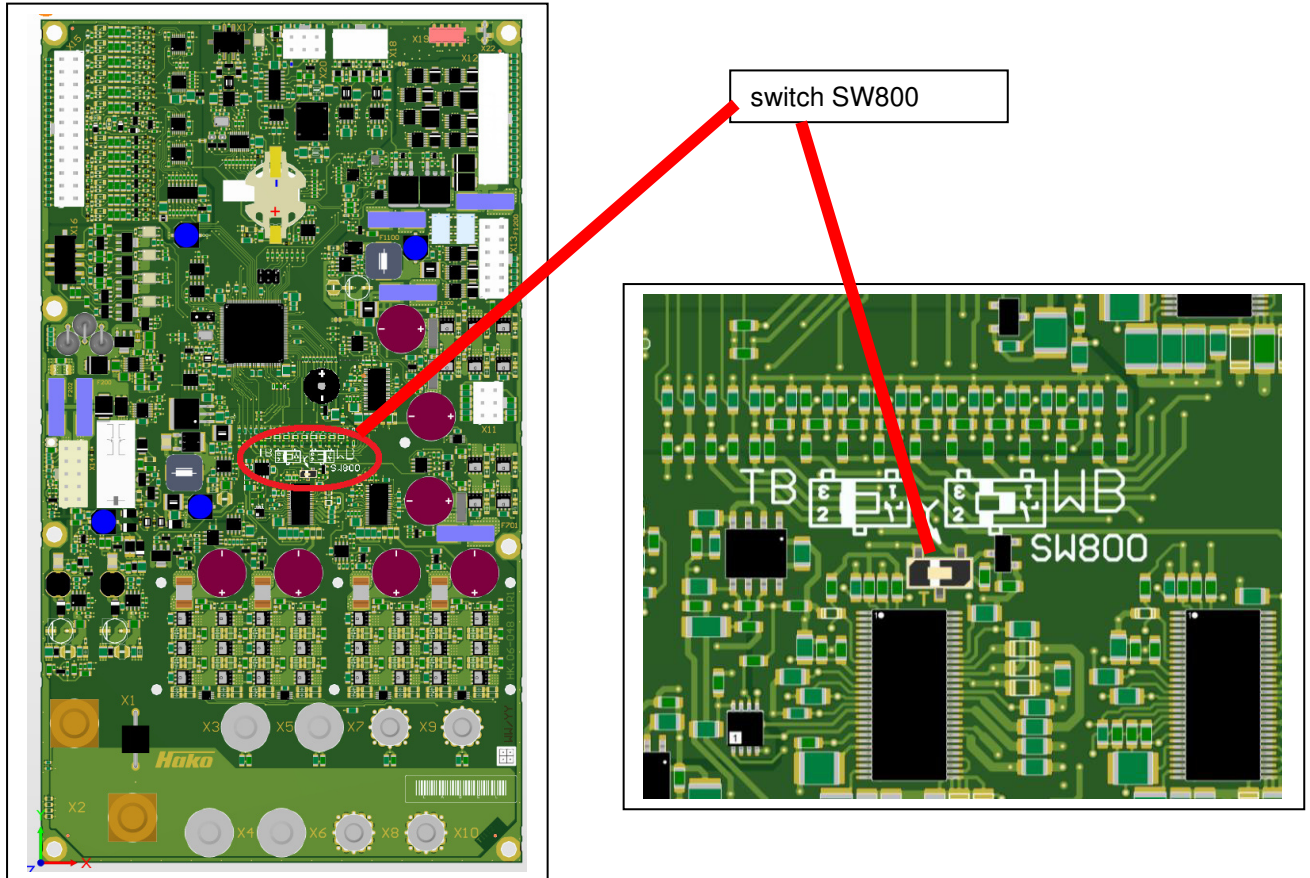
Setting instruction for machine type

- B175 R (disc brush and cylindrical brush)
- B260 R (disc brush and cylindrical brush)
- B400 R (disc brush)

Settings of brush deck with switch SW800 of controller A01 and A06 (if installed):

Setting for plate brush decks: Switch position to TB (delivery state of controller)

Setting for cylindrical brush deck: Switch position to WB



If the setting is incorrect an service message was shown:

- service message 1.2.6.B: switch position incorrect of master controller A01
- service message 1.2.6.C: switch position incorrect of slave controller A06

Check switch position ⇔ Check setting in the configuration menu!

		5					Nicht gesundheitsschädlich nach HN 01207
		4					
		3					
		2					
		1					
		0	Eingeführt lt.	4537-00	13.07.22	Ri/CS	Hako Hako GmbH 23840 Bad Oldesloe
Paßmaß	Abmaße	Nr.	Zahl kommt vor	Änd.-Nr.	Datum	Name	
	Datum	Name	Hergestellt aus		Maße ohne Toleranzangabe		Typ: Diese Maße werden vom Lieferanten besonders geprüft
Geprüft			Werkstoff				
Normgeprüft							Ersatz für: Zeichnungs-Nr.: Änderungs-Nr.:
Maßstab	Benennung: <h1 style="text-align: center;">Einstellanweisung Steuerung</h1>						Zeichnungs-Nr.: <h1 style="text-align: center;">91043661</h1>
Für diese Zeichnung behalten wir uns alle Rechte vor. (Gemäß DIN ISO 16016)							Blattzahl: 2